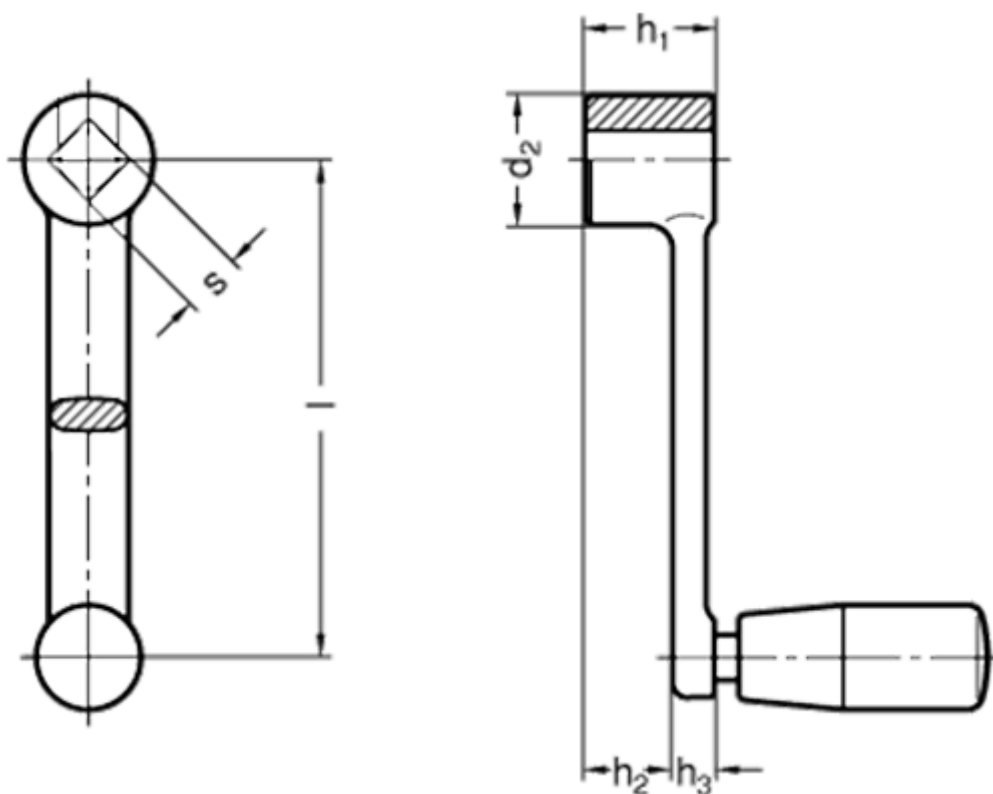


Data Sheet



Article number: 201568317
Description: E+G Crank handle
GN 269-160-V17

Measures



d2	= 32
h1	= 32
h2	= 22.6
h3	= 9
Handle	= 23
l	= 160
s	= 17